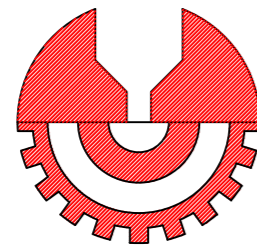


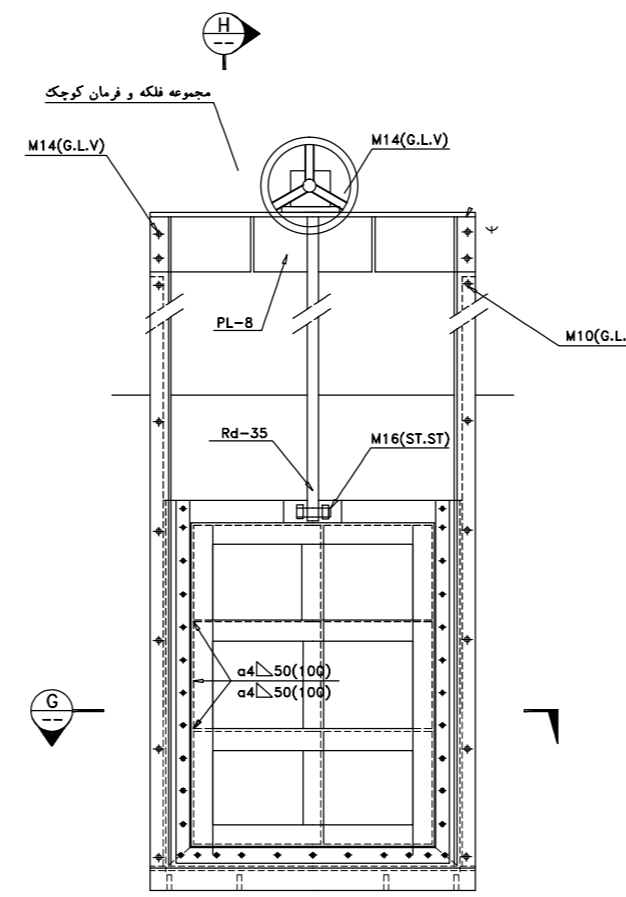
# FABRICATED SLIDE GATES

## Specification

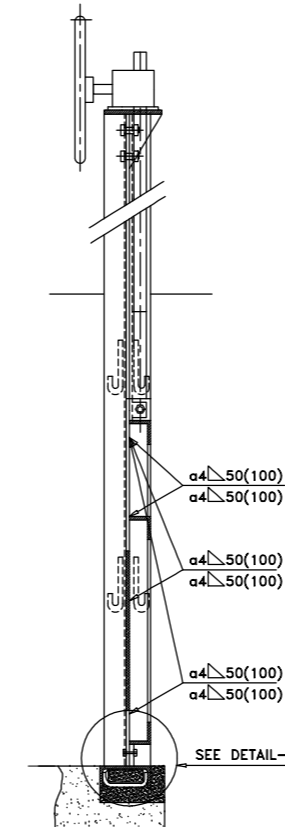


Manufactured by:  
sanatmechanic.co

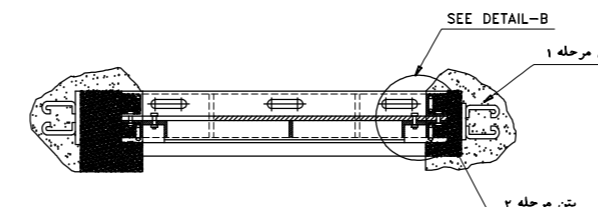
صنعت مکانیک قزوین



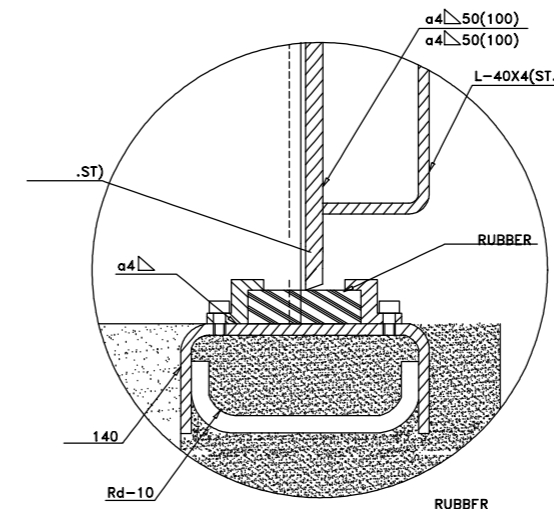
ELEVATION  
SCALE 1:3



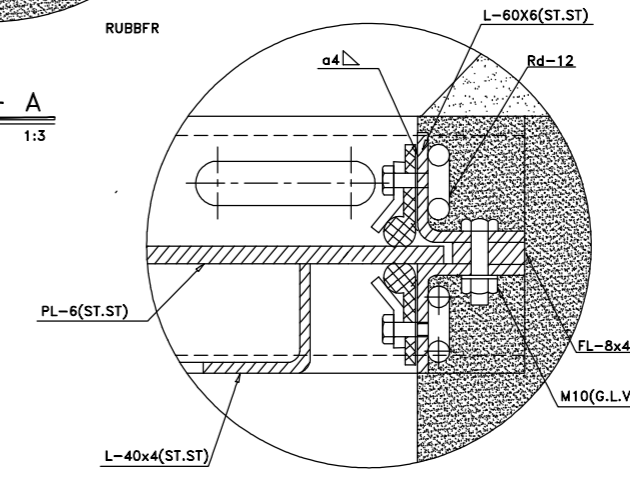
SECTION H-H  
N.T.S



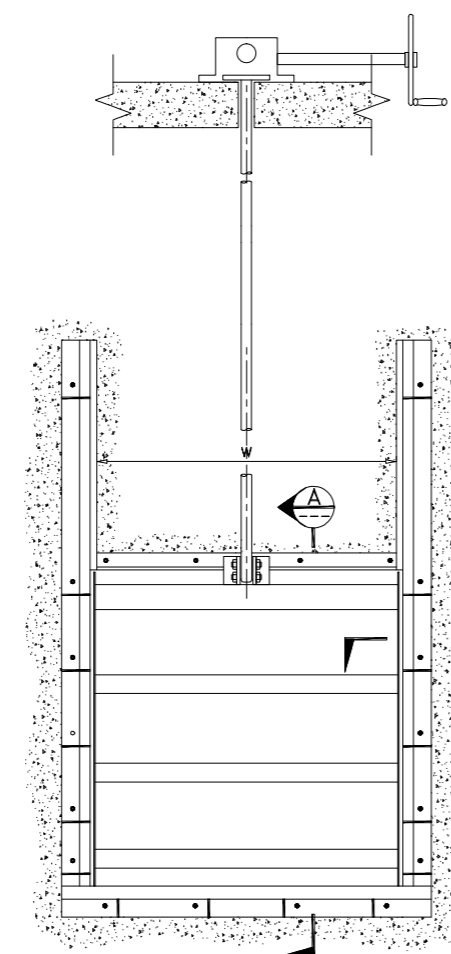
SECTION G-G  
N.T.S



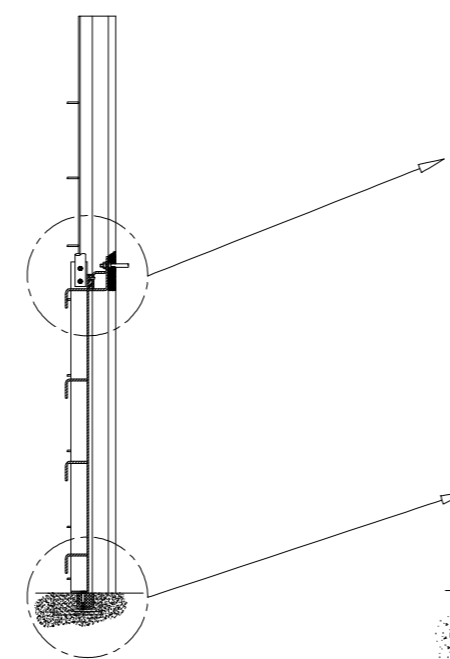
DETAIL - A  
SCALE 1:3



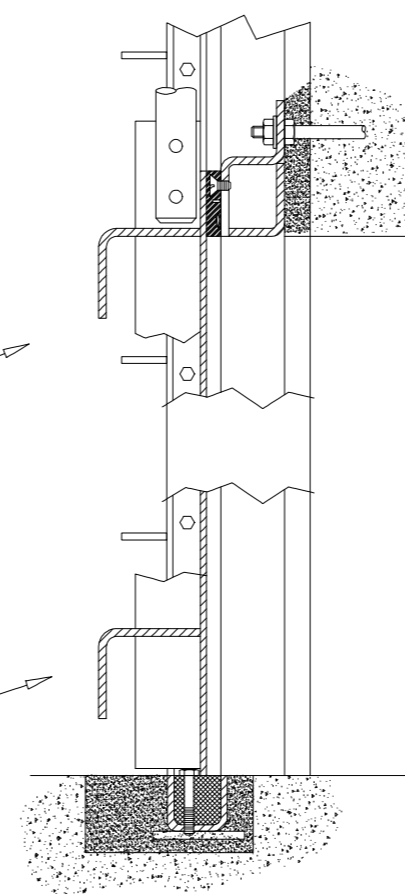
DETAIL - B  
SCALE 1:3



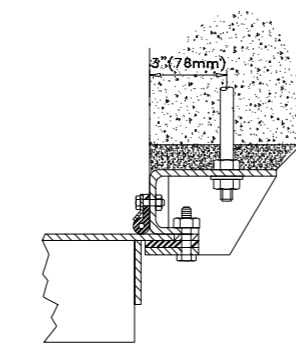
VIEW SLIDE GATE



SECTION A-A  
N.T.S



SECTION A-A  
N.T.S



SECTION B-B  
SCALE 1:3